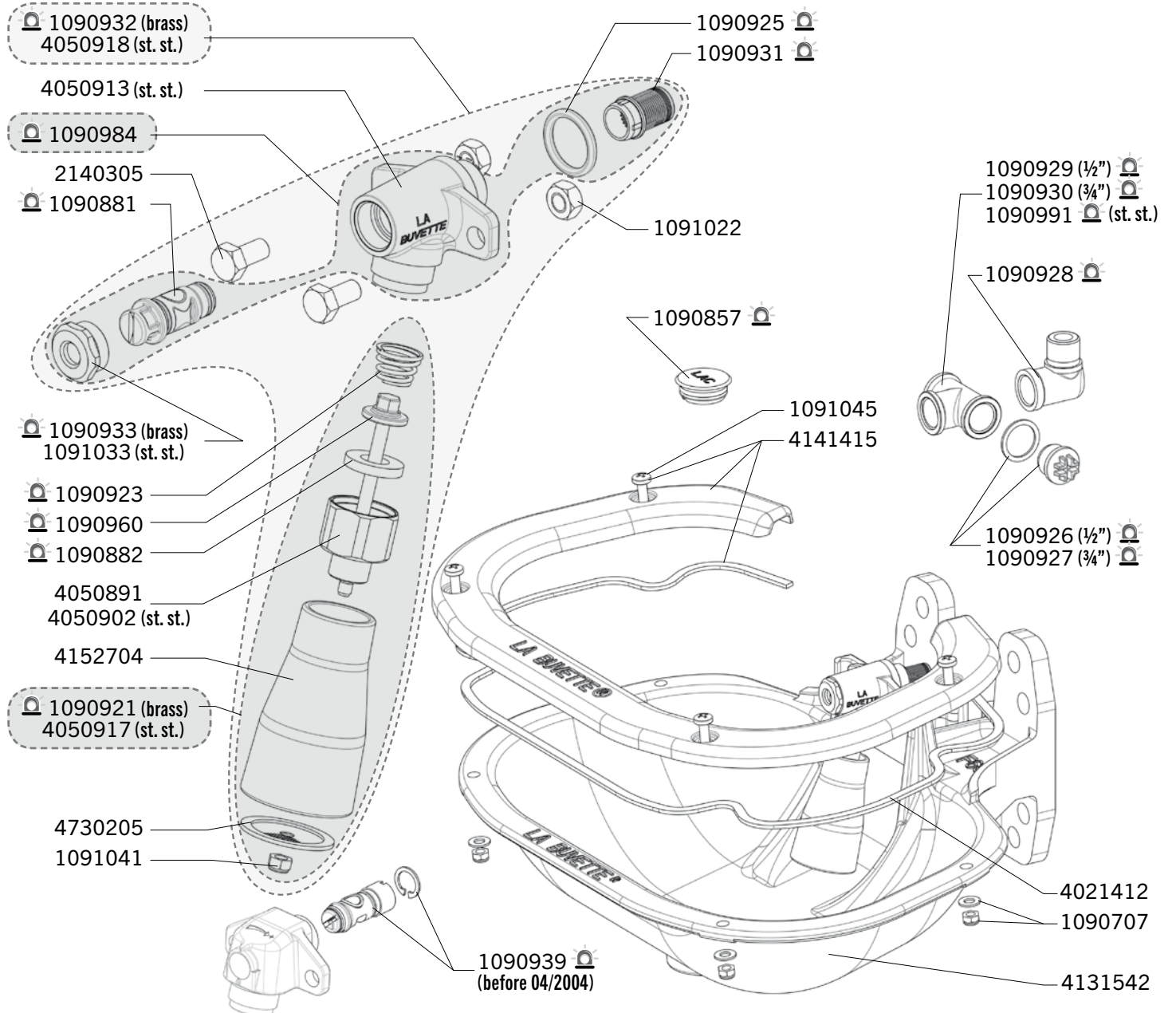


# F60

Ref. 3060 - 3211 - 3214 - 3276 - 3277

Ship.	Code	Designation
J+5	1090707	10 X BRASS LOCK NUT F11
⊕	1090857	PLUG LAC 5 (X5) BLISTER PACK
⊕	1090881	FLOW ADJUSTMENT SCREW F 30 (X3) BLISTER PACK
⊕	1090882	VALVE SEAL F 30 (X5) BLISTER PACK
⊕	1090921	UNDER PART OF THE VALVE F60 BLISTER PACK
⊕	1090923	5 SPRINGS F30/60/FORSTAL BLISTER PACK
⊕	1090925	FIVE O RINGS BLISTER PACK
⊕	1090926	3 PLUG/WASHERS 1/2 FOR F11 BLISTER PACK
⊕	1090927	3 PLUG/WASHERS 3/4 " BLISTER PACK
⊕	1090928	BENT JUNCTION 1/2 GZ BLISTER PACK
⊕	1090929	T CONNECTION 1/2 BRASS FFF BLISTER PACK
⊕	1090930	T CONNECTION FFF 3/4-1/2-3/4 BRASS BLISTER PACK
⊕	1090931	5 FILTERS F30/60 BLISTER PACK
⊕	1090932	COMPLETE VALVE F60 WITHOUT T BLISTER PACK
⊕	1090933	3 FIXING NUTS FOR FLOW ADJUSTMENT SCREW F30/60 BLISTER
⊕	1090939	3 ADJUSTMENT SCREWS F30/60 BEFORE 2004 BLISTER
⊕	1090960	VALVE SHAFT F30/60/110-BLISTER
⊕	1090984	VALVE HEAD-MOUNTED ADJUSTMENT SCREW BLISTER
⊕	1090991	1 SS T-CONNECTION 3/4 FOR F25-30-40-60 BLISTER
J+5	1091022	BAG WITH 10 BLIND NUTS H8
J+5	1091033	5 STAINLESS STEEL PLUGS
J+5	1091041	BAG WITH 10 STAINLESS STEEL BLIND NUTS
J+5	1091045	BAG WITH 10 STAINLESS 6X12 STEEL SCREWS
J+5	2140305	SCREW TH 8X25 SSTEEL
J+5	2660204	STEEL WASHERS
J+5	4021412	1 M STICKY FOAM SEAL 6X4
J+5	4050891	VALVE SEAT - BRASS
J+5	4050902	UNDER PART OF THE VALVE SS
J+5	4050913	ST. STEEL BODY VALVE F60
J+1	4050917	VALVE UNDERPART F60
J+1	4050918	COMPLETE VALVE REPAIR KIT F60
J+5	4131542	F60 POLYCOAT BOWL
J+5	4141415	NON-SPILL FRAME ALUMINIUM F60
J+1	4152704	PLASTIC PUSH ROD F60
J+5	4730205	JET BREAKER STAINLESS STEEL



Shipping time in working days (running out of stock excepted), spare parts tagged with a ⊕ are dispatched the same day if order received before noon and made of parts tagged with ⊕ (J) exclusively.